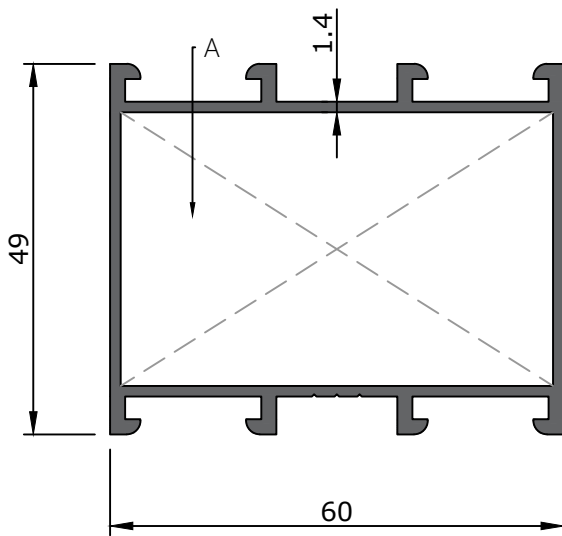


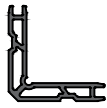
سیستم درب و پنجره

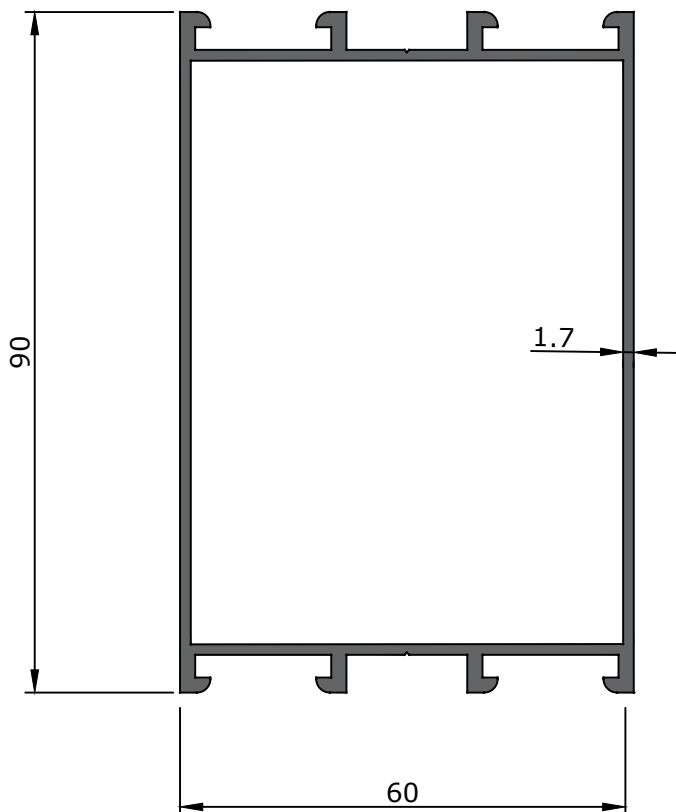
لولایی نرمال بندینی

C60

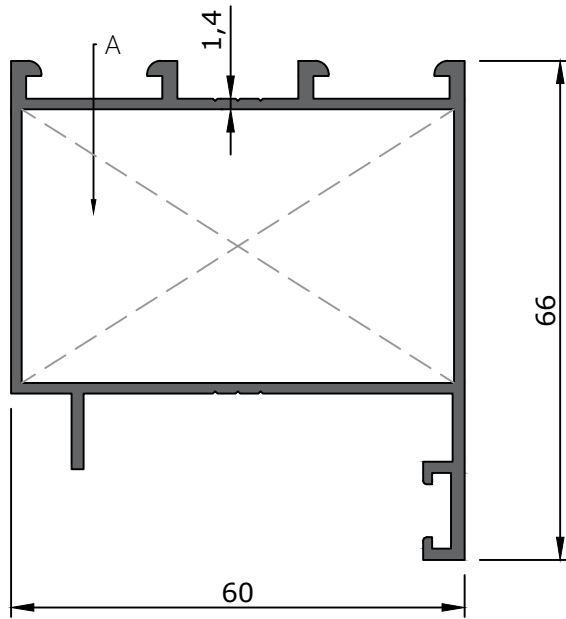


Profile Name	Profile Code	Weight (Kg/m)
Frame and Mullion Profile	521980-14	1.015

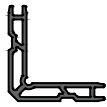
Corner Cleat	A
	-

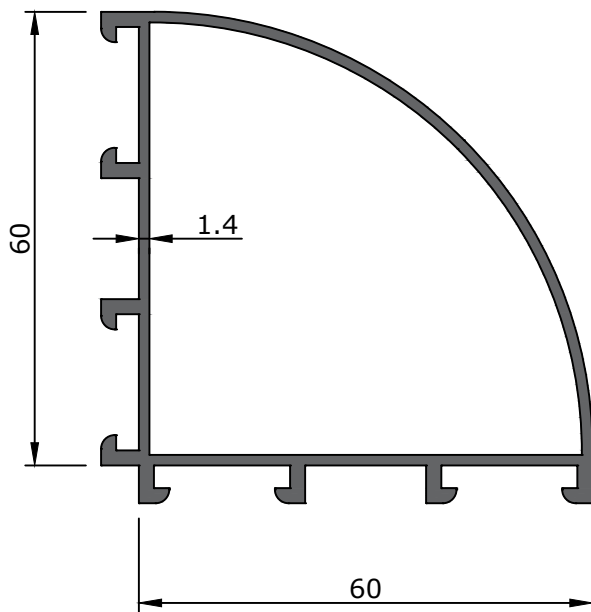


Profile Name	Profile Code	Weight (Kg/m)
Frame and Mullion Profile	521984-14	1.330

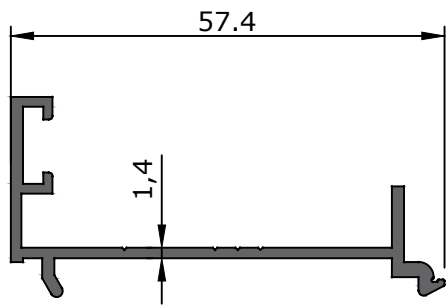


Profile Name	Profile Code	Weight (Kg/m)
Sash Profile	521981-14	1.055

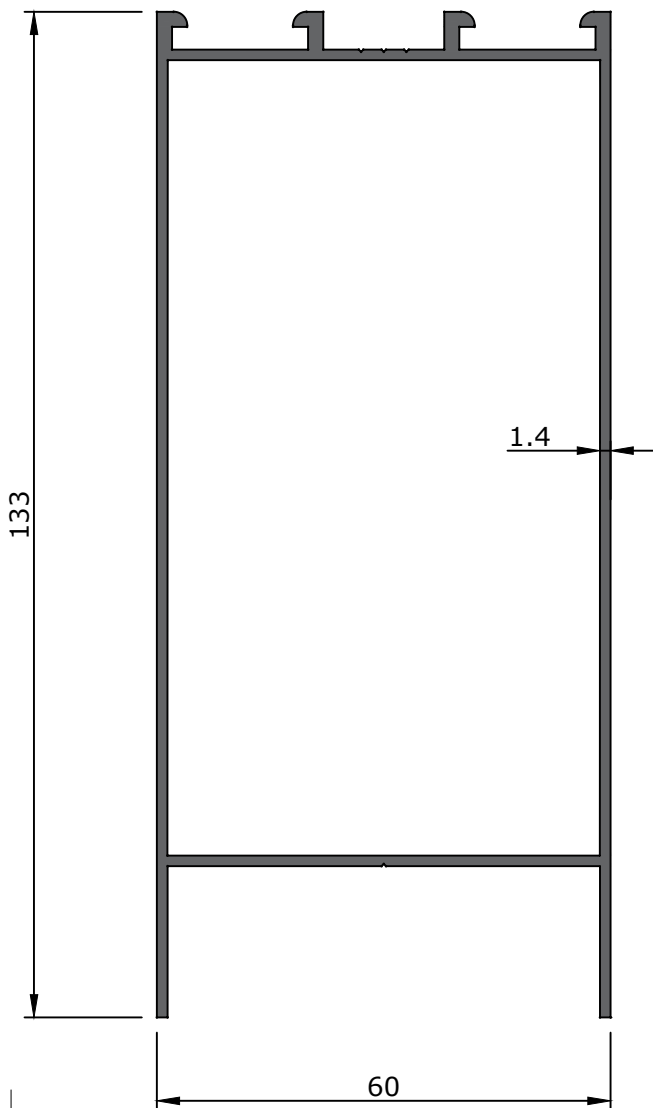
Corner Cleat	A
	-



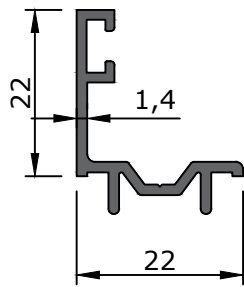
Profile Name	Profile Code	Weight (Kg/m)
Corner Profile	521983-14	1.090



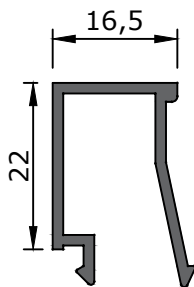
Profile Name	Profile Code	Weight (Kg/m)
Sash Profile	525009	0.421



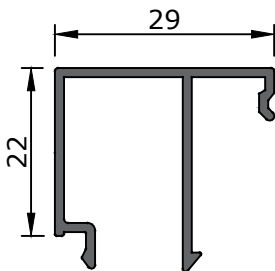
Profile Name	Profile Code	Weight (Kg/m)
Bottom Rail Profile	521982-14	1.545



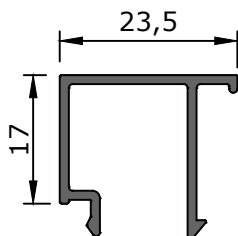
Profile Name	Profile Code	Weight (Kg/m)
Glazing Bead	521990	0.250



Profile Name	Profile Code	Weight (Kg/m)
Glazing Bead	521985	0.282



Profile Name	Profile Code	Weight (Kg/m)
Glazing Bead	521987	0.310



Profile Name	Profile Code	Weight (Kg/m)
Glazing Bead	521986	0.230