
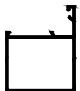
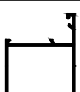

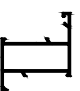
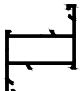

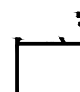

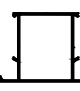
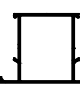


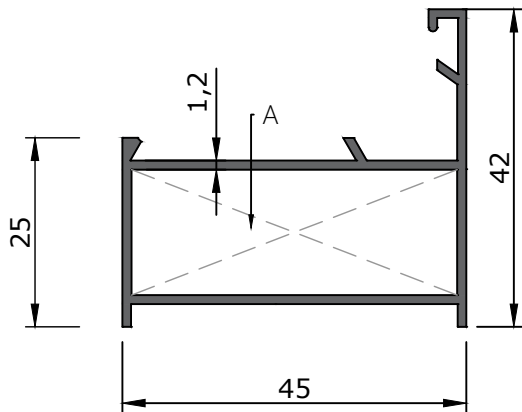
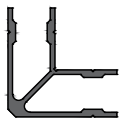


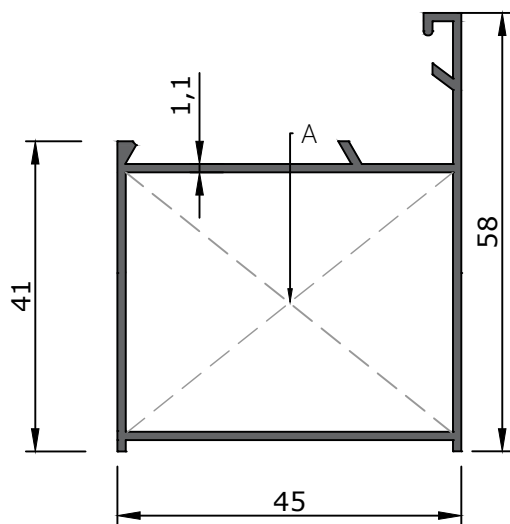
**OVERVIEW OF PROFILES**

<b>DRAWING</b>	<b>CODE</b>	<b>WEIGHT (Kg/m)</b>	<b>DESCRIPTION</b>	<b>STATIC VALUE</b> <small>Jx(cm4) / Jy (cm4)</small>
	2401	0.545	Frame Profile	2.13 / 6.16
	2402A	0.605	Frame Profile	1.29 / 5.85
	2402B	0.660	Frame Profile	5.44 / 8.66
	15710	0.830	Frame Profile	0.1 / 2.60
	2408A	0.605	Sash Profile	7.40 / 30.11
	2408B	0.660	Sash Profile	2.64 / 8.77
	2409A	0.710	Sash Profile	13.88 / 6
	2409B	0.760	Sash profile	13.88 / 6
	2415	0.645	Mullion Profile	6.82 / 4.49
	2416A	0.710	Mullion profile	2.86 / 16.69
	2416B	0.760	Mullion profile	1.4 / 45.2
	2451	0.260	Glazing Bead	/
	2452	0.210	Glazing Bead	/




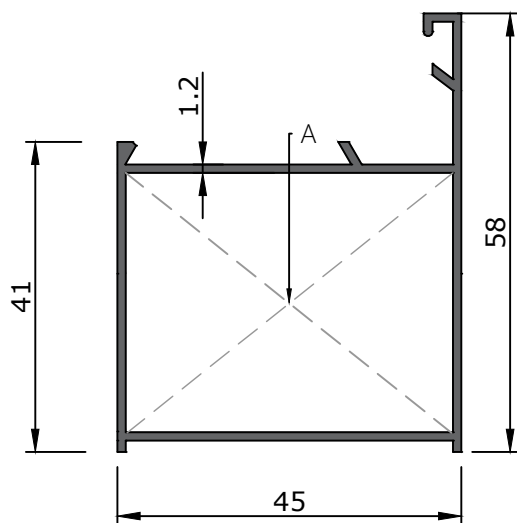
Profile Name	Profile Code	Weight (Kg/m)
Frame Profile	2401	0.545

Corner Cleat	A
	715-1 42.6mm

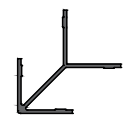


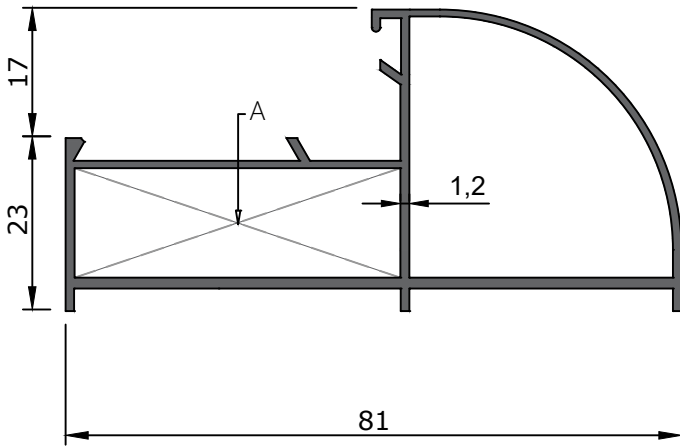
Profile Name	Profile Code	Weight (Kg/m)
Frame Profile	2402A	0.605

Corner Cleat	A
	732-1 42.6mm

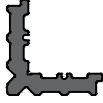


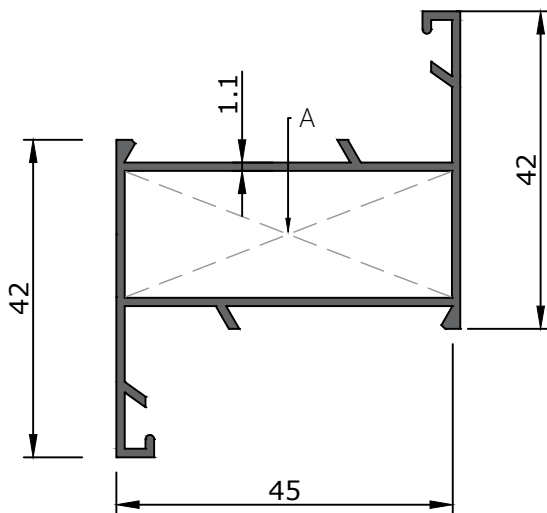
Profile Name	Profile Code	Weight (Kg/m)
Frame Profile	2402B	0.660

Corner Cleat	A
	732-1 42.6mm

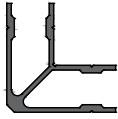


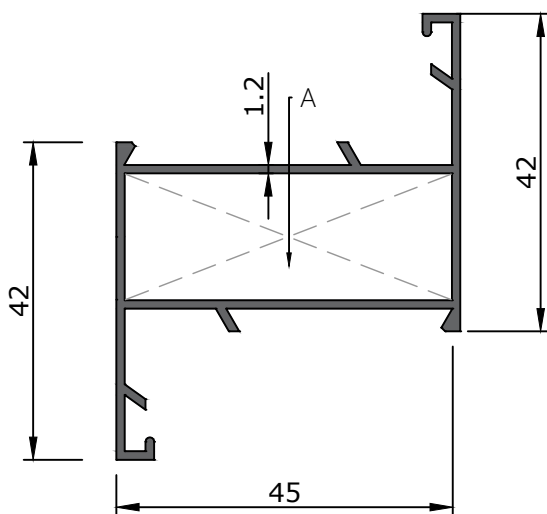
Profile Name	Profile Code	Weight (Kg/m)
Frame Profile	15710	0.830

Corner Cleat	A
	* 317-6 42.7mm

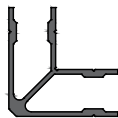


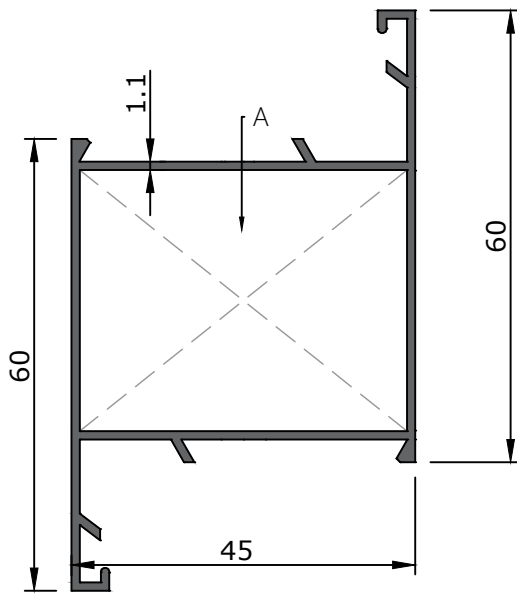
Profile Name	Profile Code	Weight (Kg/m)
Sash Profile	2408A	0.605

Corner Cleat	A
	715-1 42.6mm




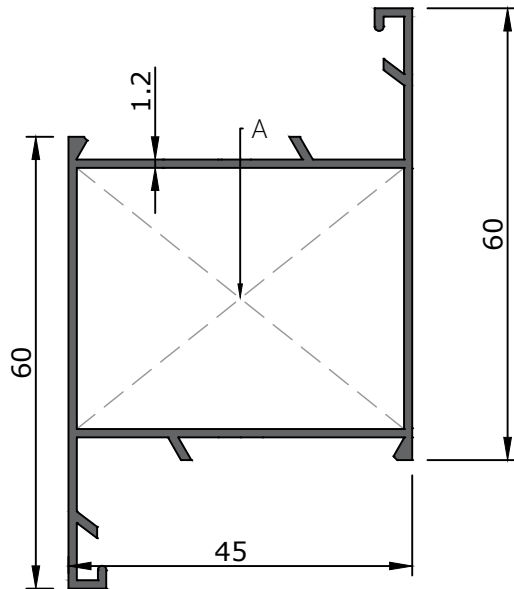
Profile Name	Profile Code	Weight (Kg/m)
Sash Profile	2408B	0.660

Corner Cleat	A
	715-1 42.6mm

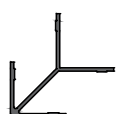


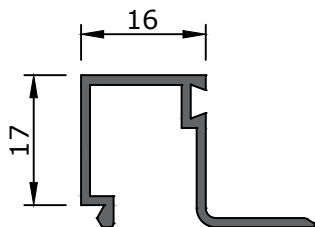
Profile Name	Profile Code	Weight (Kg/m)
Sash Profile	2409A	0.710

Corner Cleat	A
	732-1 42.6mm

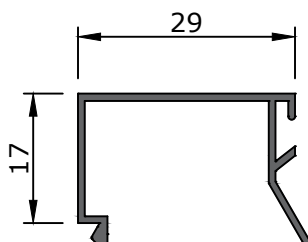


Profile Name	Profile Code	Weight (Kg/m)
Sash Profile	2409B	0.760

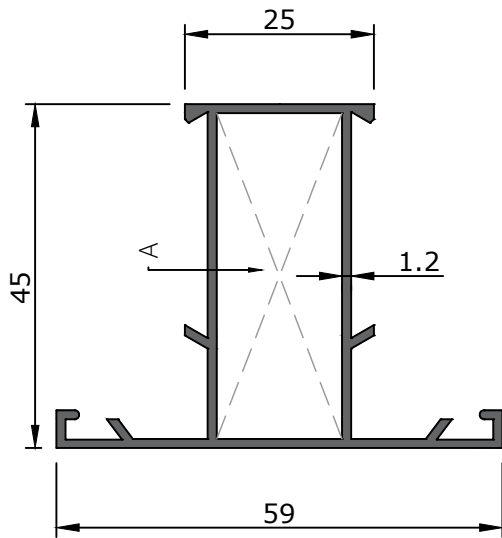
Corner Cleat	A
	732-1 42.6mm



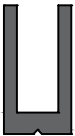
Profile Name	Profile Code	Weight (Kg/m)
Glazing Bead	2451	0.260

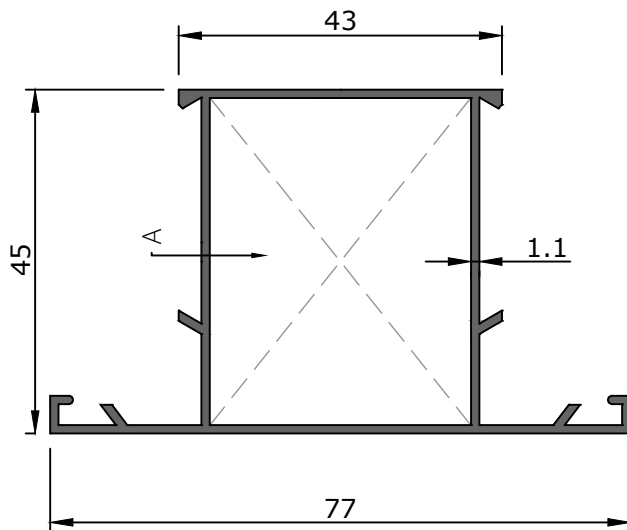


Profile Name	Profile Code	Weight (Kg/m)
Glazing Bead	2452	0.210




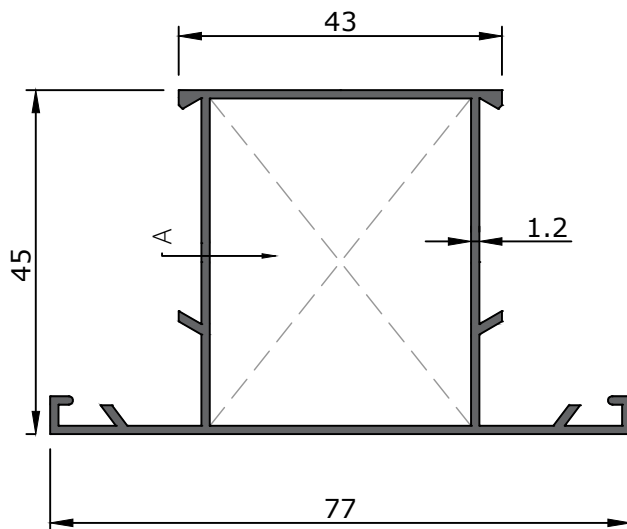
Profile Name	Profile Code	Weight (Kg/m)
Mullion Profile	2415	0.645

Corner Cleat	A
	715-1 42.6mm




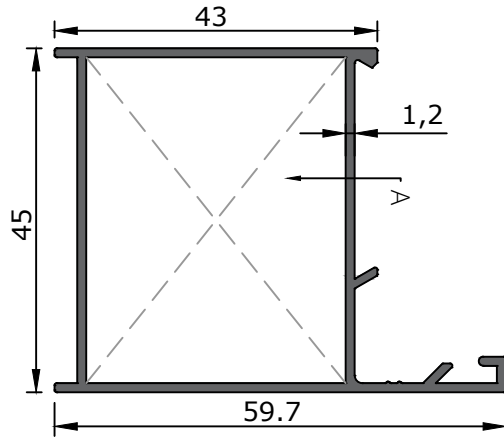
Profile Name	Profile Code	Weight (Kg/m)
Mullion Profile	2416A	0.710

Corner Cleat	A
	732-1 42.6mm




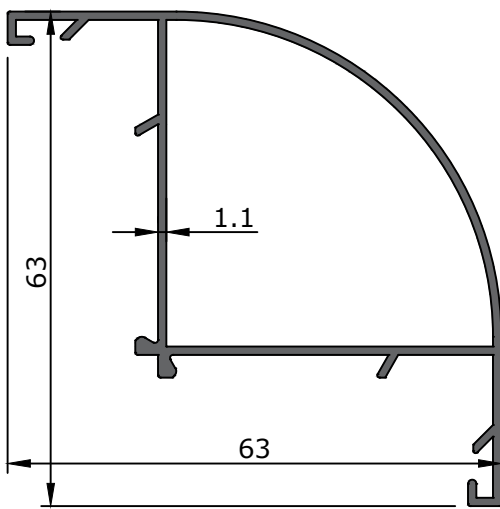
Profile Name	Profile Code	Weight (Kg/m)
Mullion Profile	2416B	0.760

Corner Cleat	A
	732-1 42.6mm

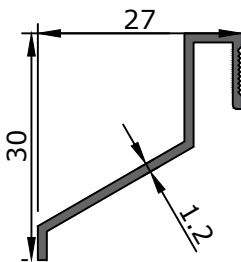


Profile Name	Profile Code	Weight (Kg/m)
Frame Profile	522006	0.662

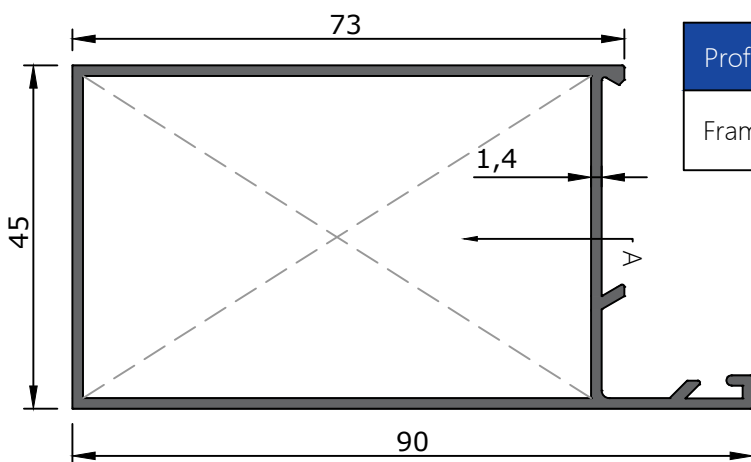
Corner Cleat	A
	732-1 42.6mm



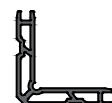
Profile Name	Profile Code	Weight (Kg/m)
Corner Profile	522019	0.710

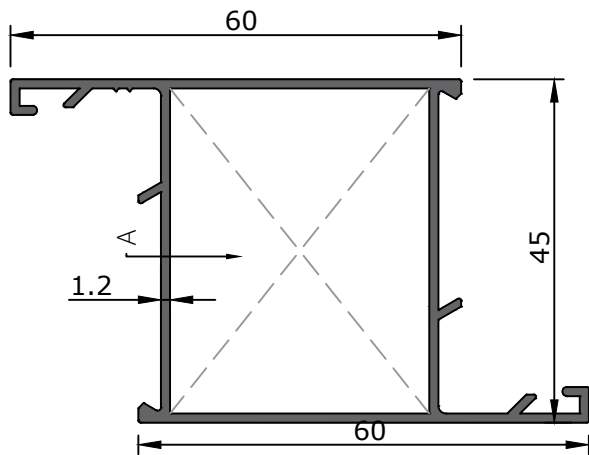


Profile Name	Profile Code	Weight (Kg/m)
Glazing Bead	522013	0.177

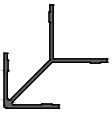


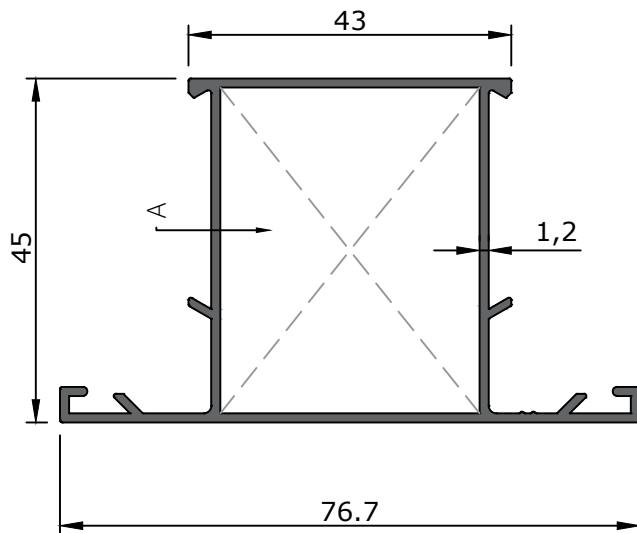
Profile Name	Profile Code	Weight (Kg/m)
Frame Profile	522022	0.990

Corner Cleat	A
	-

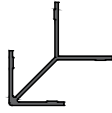


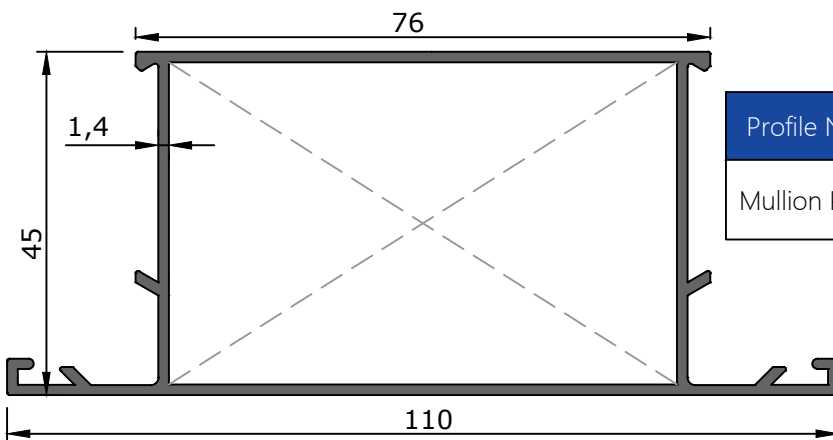
Profile Name	Profile Code	Weight (Kg/m)
Sash Profile	522004	0.764

Corner Cleat	A
	732-1 42.6mm

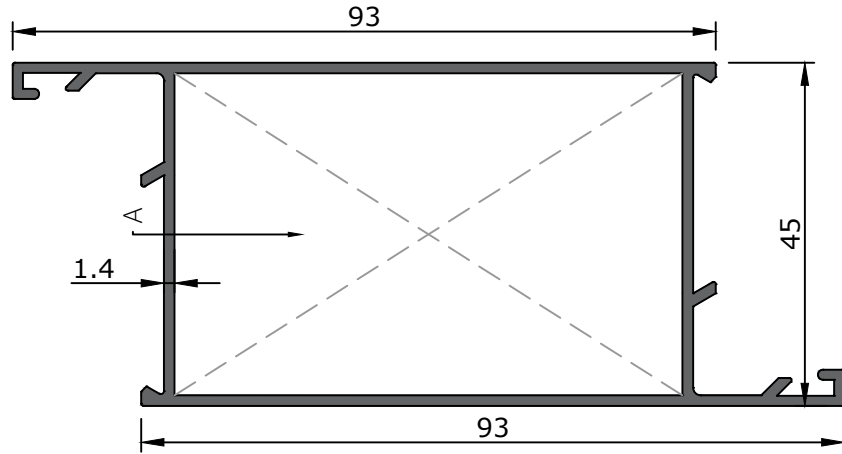


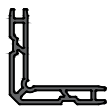
Profile Name	Profile Code	Weight (Kg/m)
Mullion Profile	522005	0.766

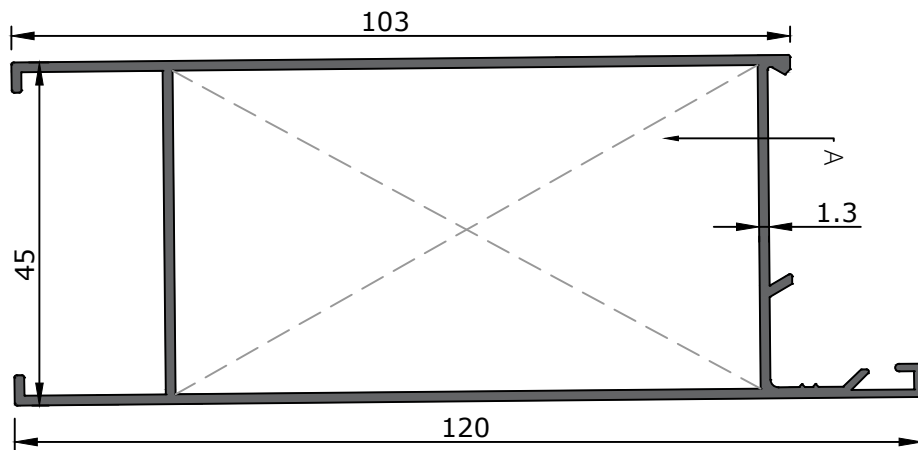
Corner Cleat	A
	732-1 42.6mm

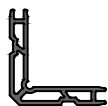


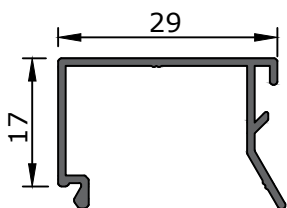
Profile Name	Profile Code	Weight (Kg/m)
Mullion Profile	522021	1.125



Profile Name	Profile Code	Weight (Kg/m)	Corner Cleat	A
Sash Profile	522023	1.130		-






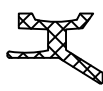
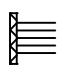
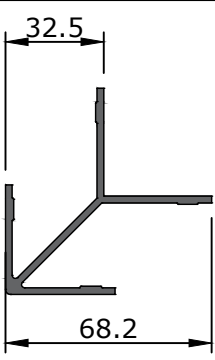
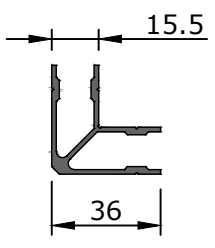
Profile Name	Profile Code	Weight (Kg/m)	Corner Cleat	A
Frame Profile	522014	1.147		-



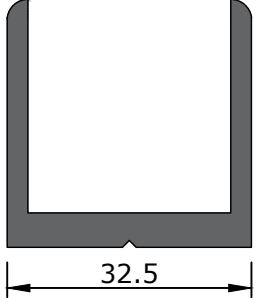
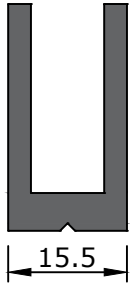
Profile Name	Profile Code	Weight (Kg/m)
Glazing Bead	522000	0.212



**ACCESSORIES**

Drawing	Code	Description	Material
	G 108	Interior Glazing Gasket 2mm	EPDM
	G 202	Interior Glazing Gasket 6mm	EPDM
	G 203	Interior Glazing Gasket 8mm	EPDM
	R 110	Gasket For Frame Profile	EPDM
	B 32	Brush Gasket	EPDM
	732-1	2402A 2402B 2409A 2409B 2416A 2416B Press Corner Cleat 42.6mm	Aluminium
	715-1	2415 & 2408 & 2401 Press Corner Cleat 42.6mm	

**ACCESSORIES**

Drawing	Code	Description	Material
	632-1	2416 Press Corner Cleat 42.6mm	Aluminium
	615-1	2415 Press Corner Cleat 42.6mm	