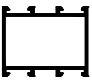
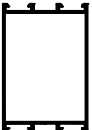
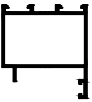


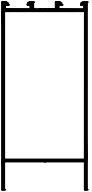




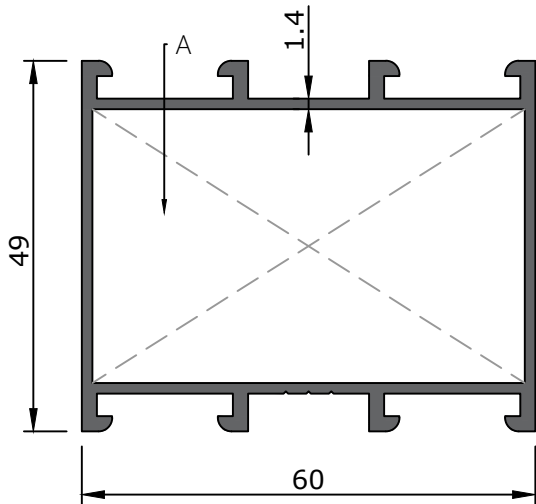


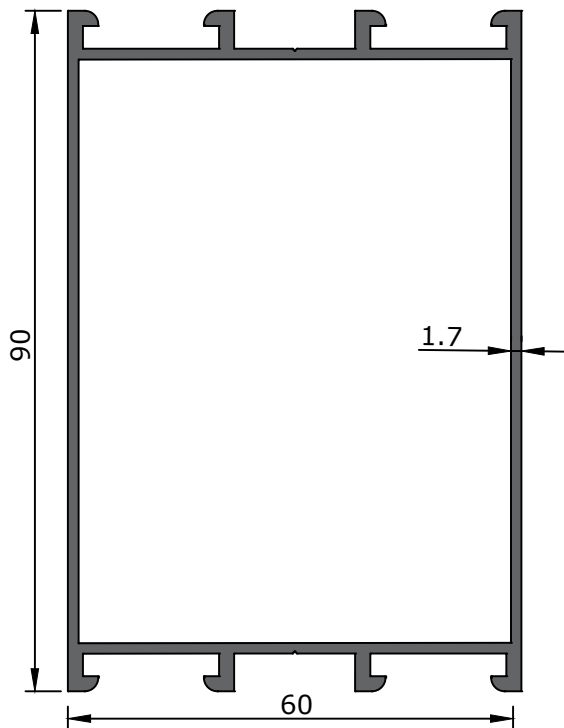
OVERVIEW OF PROFILES

DRAWING	CODE	WEIGHT (Kg/m)	DESCRIPTION	STATIC VALUE <small>Jx(cm4) / Jy (cm4)</small>
	521980-14	1.015	Frame And Mullion profile	12.37 / 18.56
	521984-14	1.330	Frame And Mullion profile	56.25 / 28.45
	521981-14	1.055	Sash Profile	14.06 / 22.71
	521983-14	1.090	Corner 90° profile	25.80 / 15.05
	525009	0.421	Sash profile	0.50 / 6.82
	521982-14	1.545	Bottom rail profile	115.10 / 37.55
	521990	0.250	Glazing Bead	/
	521985	0.282	Glazing Bead	/
	521987	0.310	Glazing Bead	/
	521986	0.230	Glazing Bead	/

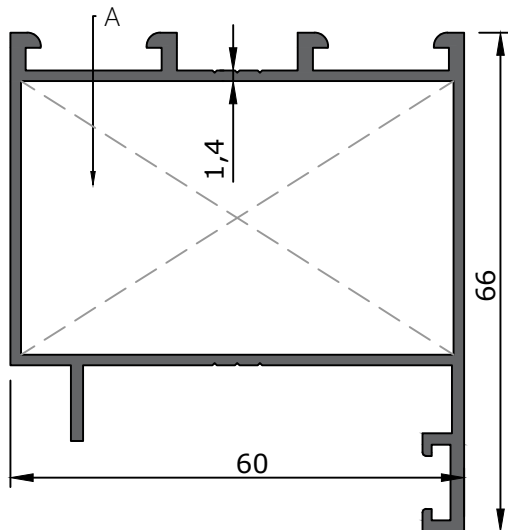


Profile Name	Profile Code	Weight (Kg/m)
Frame and Mullion Profile	521980-14	1.015

Corner Cleat	A
-	35.8 mm x 56.8mm

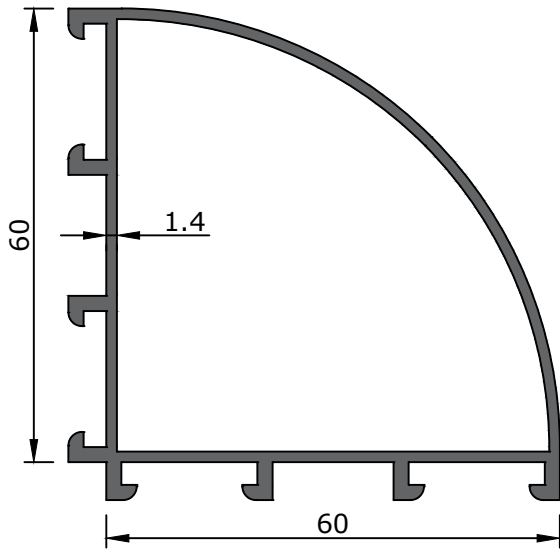


Profile Name	Profile Code	Weight (Kg/m)
Frame and Mullion Profile	521984-14	1.330

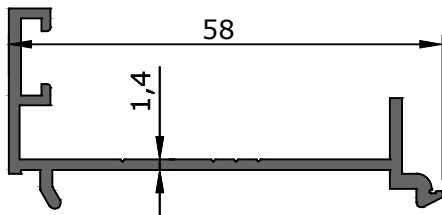


Profile Name	Profile Code	Weight (Kg/m)
Sash Profile	521981-14	1.055

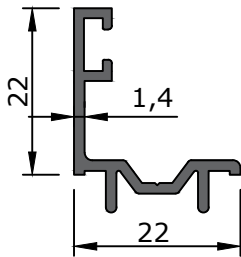
Corner Cleat	A
-	38.8mm x 56.8mm



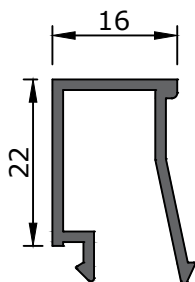
Profile Name	Profile Code	Weight (Kg/m)
Corner 90° Profile	521983-14	1.090



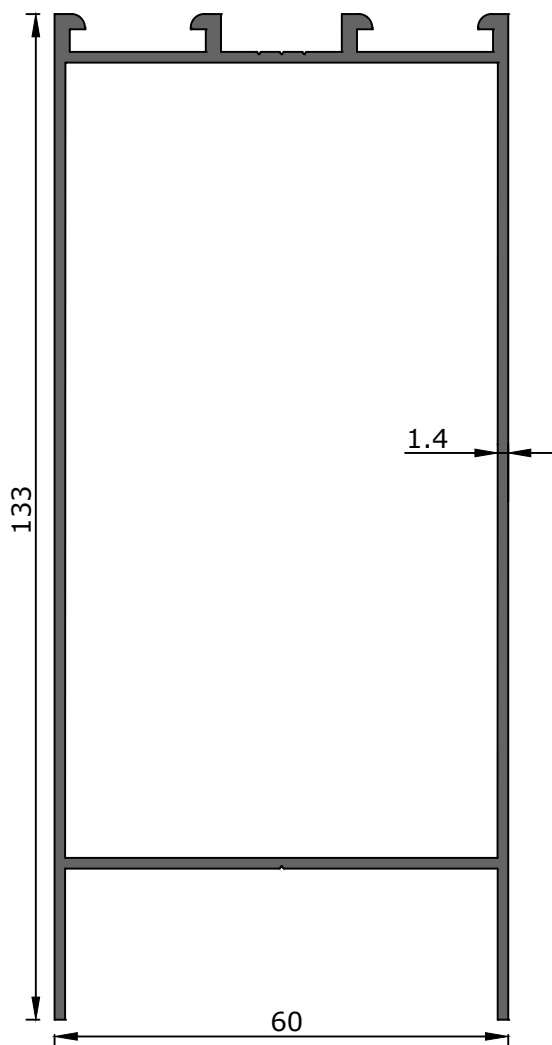
Profile Name	Profile Code	Weight (Kg/m)
Sash Profile	525009	0.421



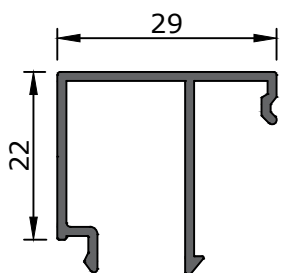
Profile Name	Profile Code	Weight (Kg/m)
Glazing Bead	521990	0.250



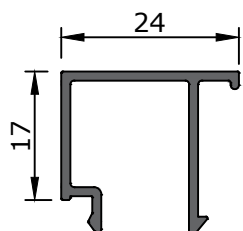
Profile Name	Profile Code	Weight (Kg/m)
Glazing Bead	521985	0.282



Profile Name	Profile Code	Weight (Kg/m)
Bottom Rail Profile	521982-14	1.545





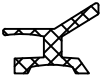


Profile Name	Profile Code	Weight (Kg/m)
Glazing Bead	521987	0.310

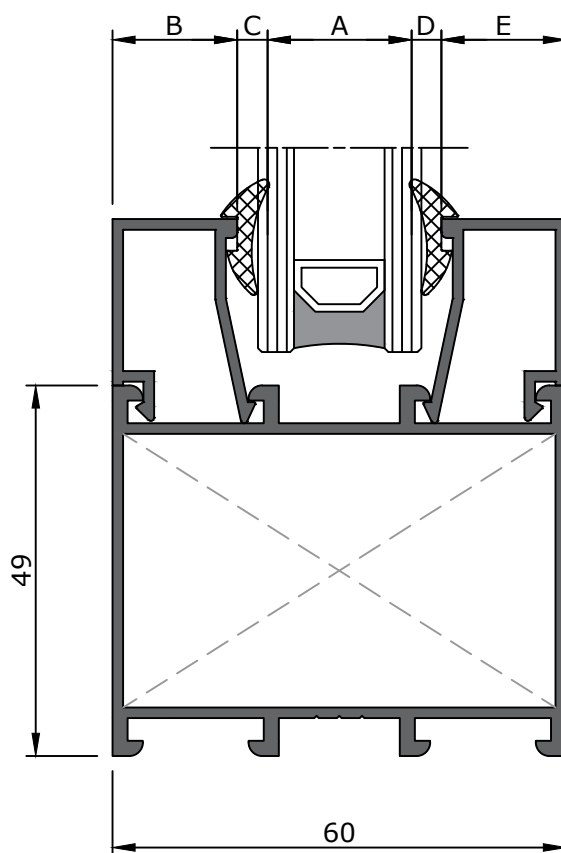


Profile Name	Profile Code	Weight (Kg/m)
Glazing Bead	521986	0.230

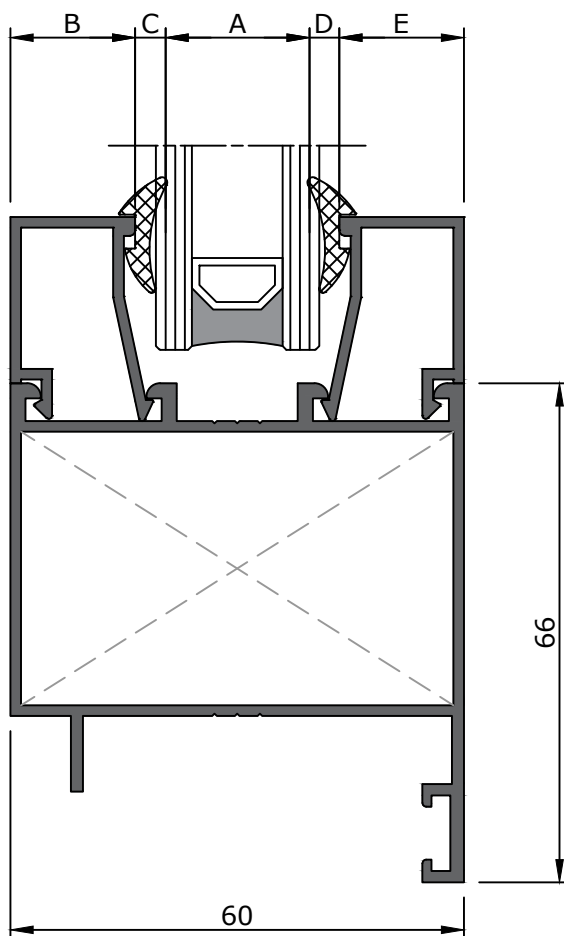
ACCESSORIES

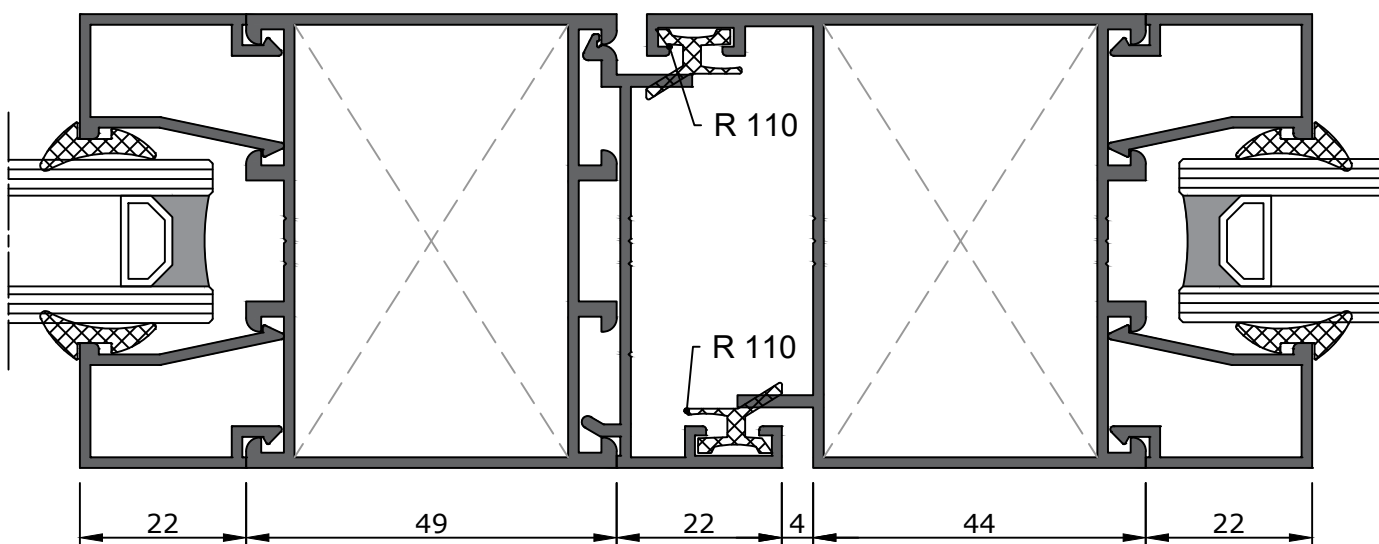
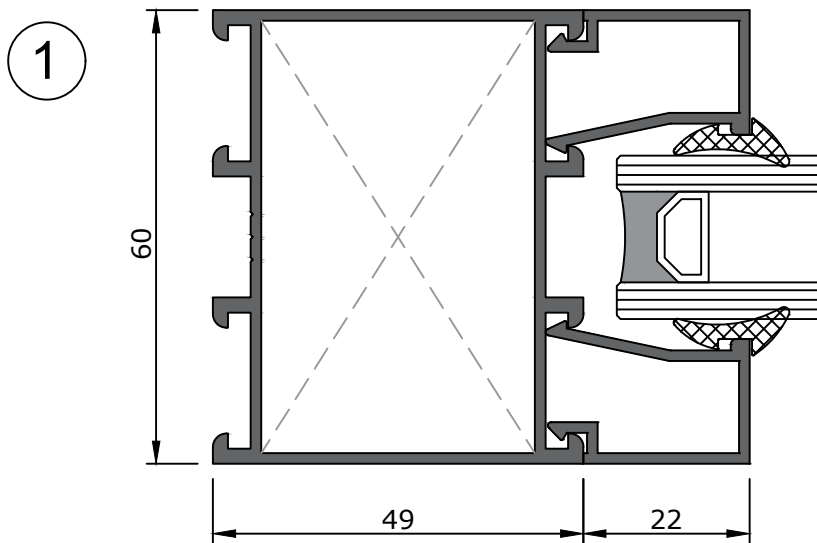
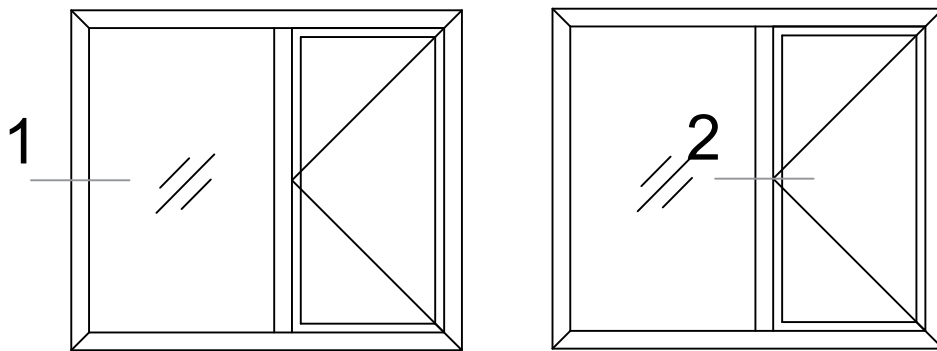
Drawing	Code	Description	Material
	G 108	Interior Glazing Gasket 2mm	EPDM
	G 201	Interior Glazing Gasket 4mm	EPDM
	G 202	Interior Glazing Gasket 6mm	EPDM
	G 203	Interior Glazing Gasket 8mm	EPDM
	R 110	Gasket For Frame Profile	EPDM

Glass Size				
A(mm)	B	C	D	E
6	G 201	521986	G 201	521986
8	G 108	521986	G 108	521986
10	G 108	521987	G 108	521985
12	G 203	521985	G 203	521985
14	G 202	521985	G 202	521985
16	G 202	521985	G 201	521985
18	G 201	521985	G 201	521985
20	G 201	521985	G 108	521985
22	G 108	521985	G 108	521985
24	G 203	521985	G 203	521990
26	G 202	521985	G 202	521990
28	G 203	521985	G 201	521990
30	G 201	521985	G 201	521990



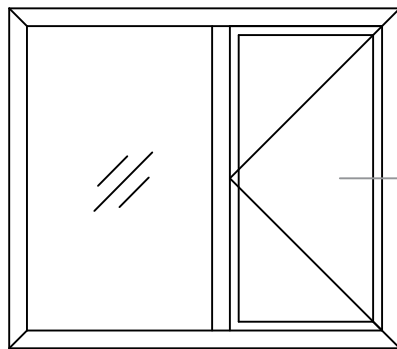
Glass Size				
A(mm)	B	C	D	E
6	G 201	521986	G 201	521986
8	G 108	521986	G 108	521986
10	G 108	521987	G 108	521985
12	G 203	521985	G 203	521985
14	G 202	521985	G 202	521985
16	G 202	521985	G 201	521985
18	G 201	521985	G 201	521985
20	G 201	521985	G 108	521985
22	G 108	521985	G 108	521985
24	G 203	521985	G 203	521990
26	G 202	521985	G 202	521990
28	G 203	521985	G 201	521990
30	G 201	521985	G 201	521990



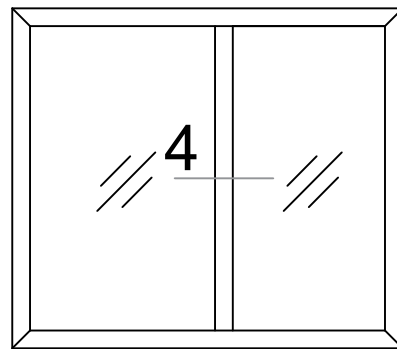


2

HATCH GUIDE : ● Aluminium ● PolyAmid ● PVC ● EPDM ● Sponge

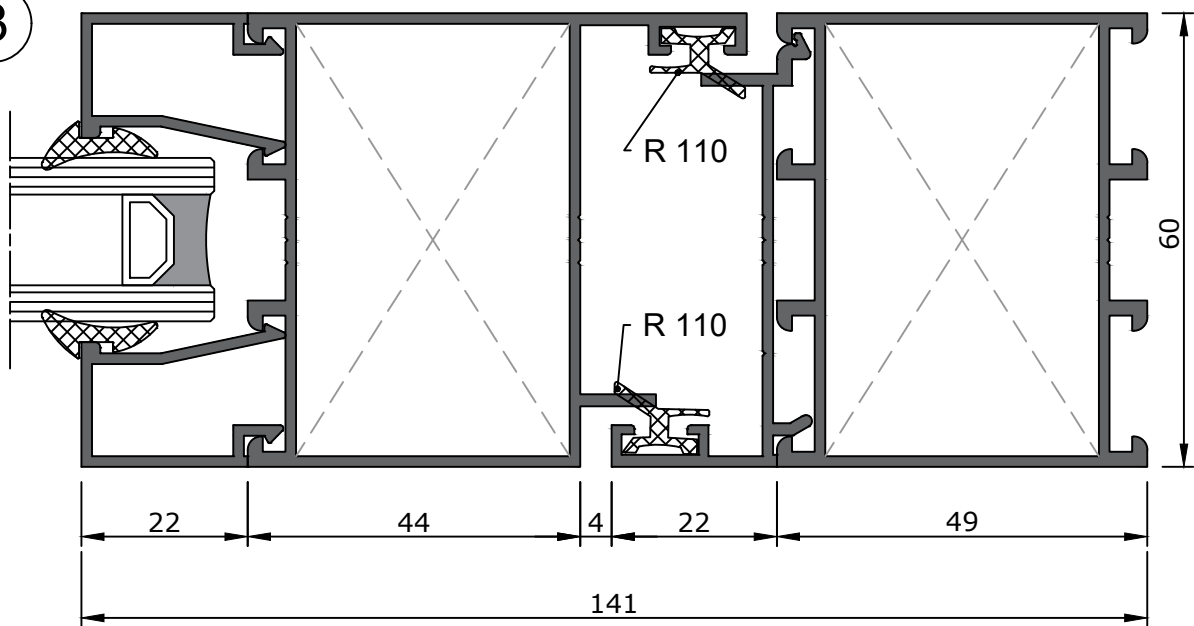


3

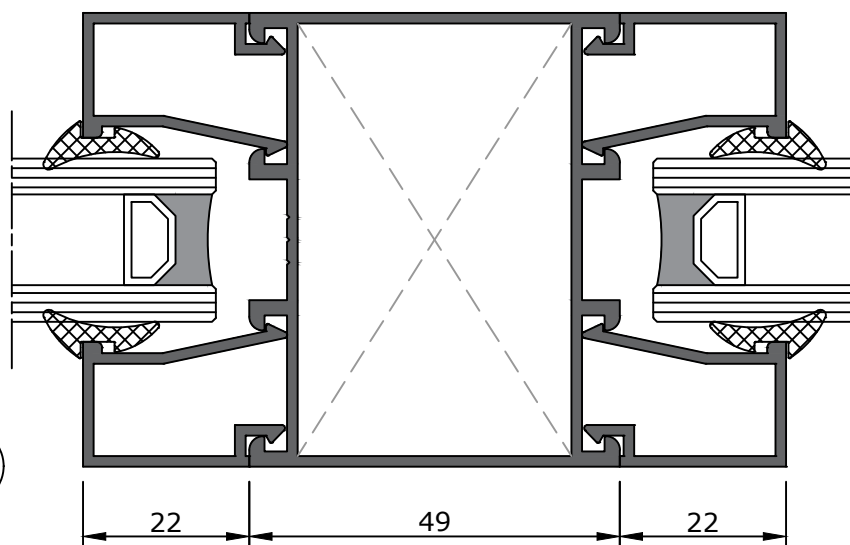


4

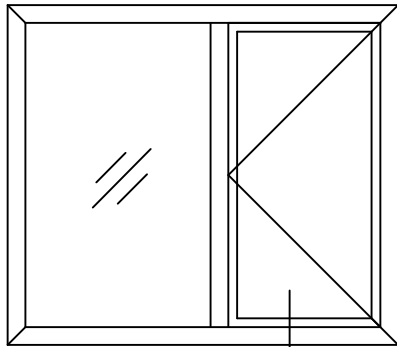
3



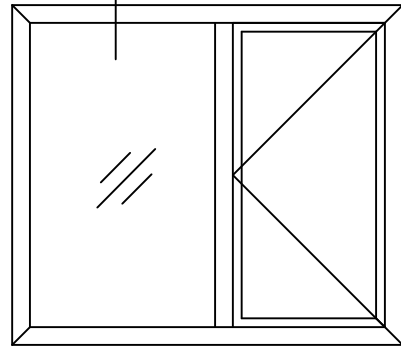
4



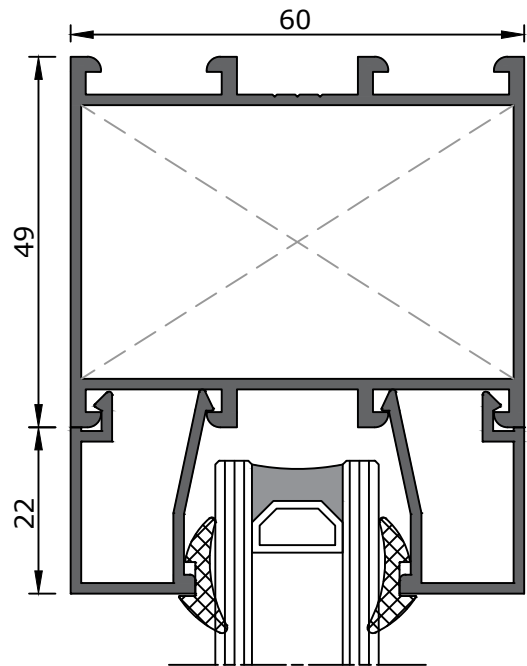
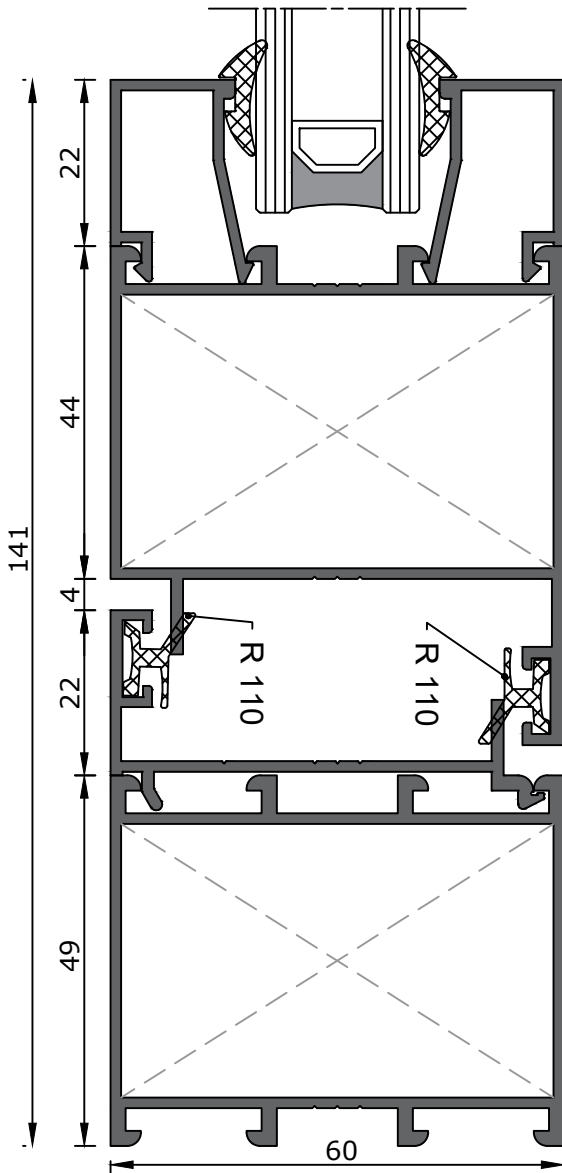
HATCH GUIDE : ● Aluminium ● PolyAmid ● PVC ● EPDM ● Sponge



5



6



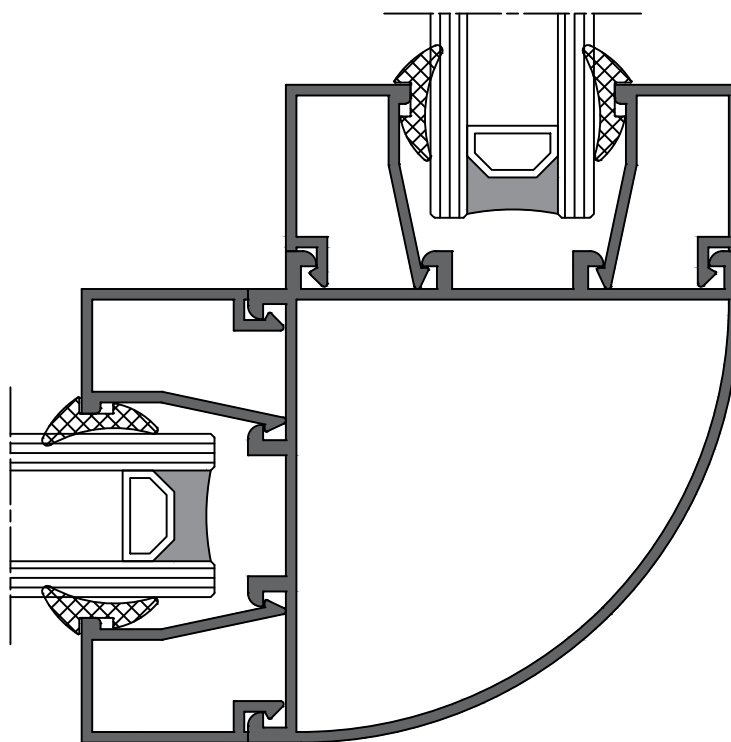
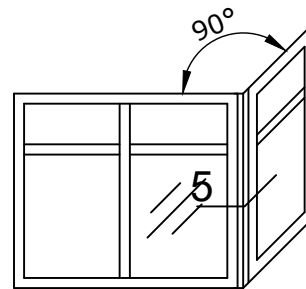
HATCH GUIDE : ● Aluminium

● PolyAmid

● PVC

● EPDM

● Sponge



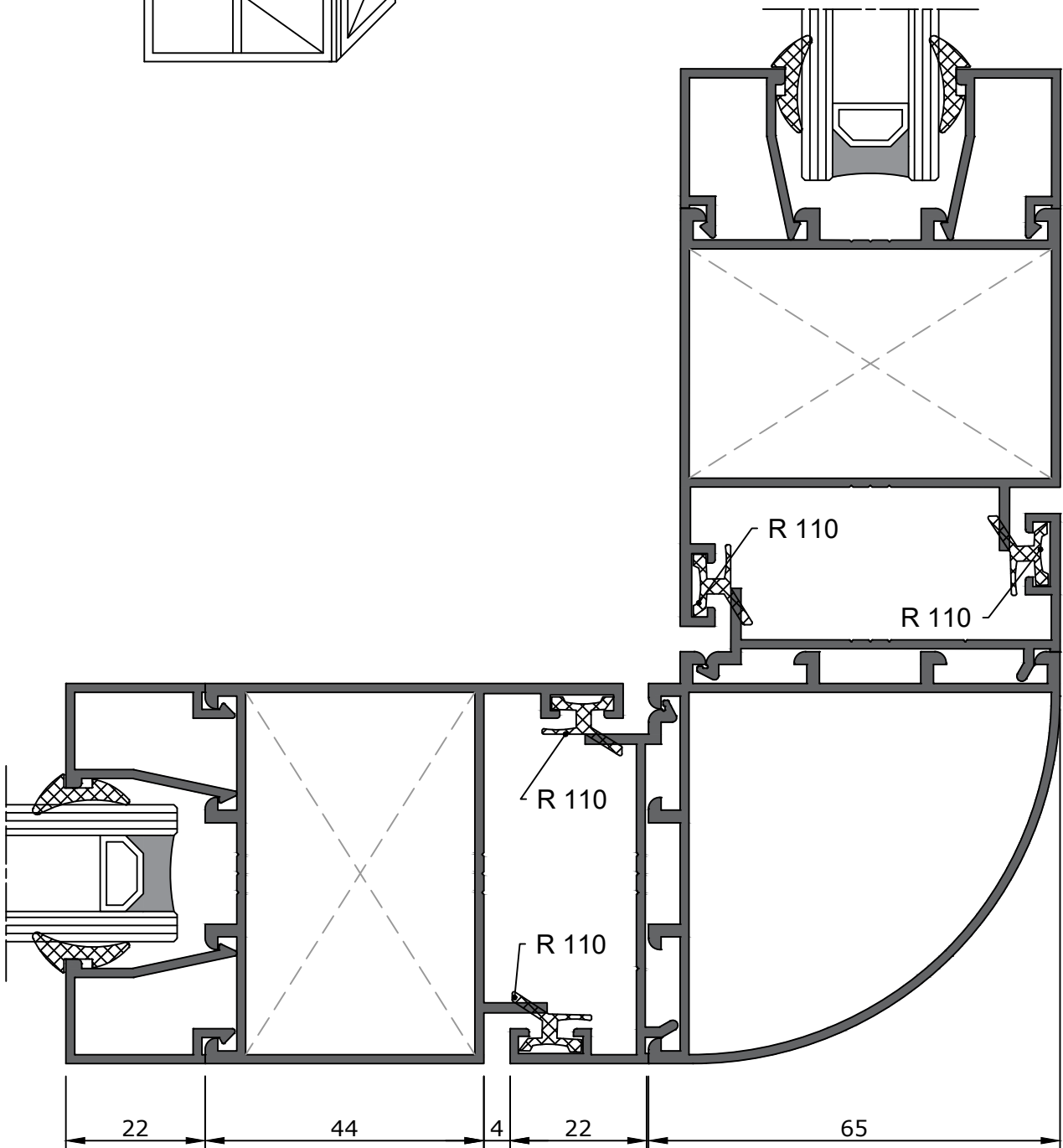
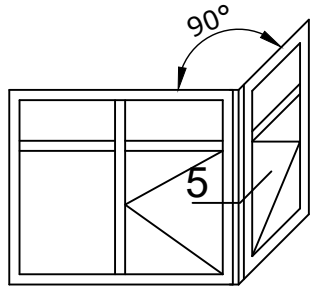
HATCH GUIDE : ● Aluminium

▨ PolyAmid

● PVC

▨ EPDM

▨ Sponge



HATCH GUIDE : ● Aluminium ▨ PolyAmid ● PVC ▩ EPDM ● Sponge