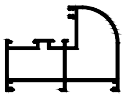
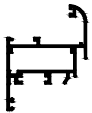
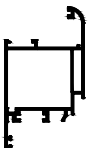
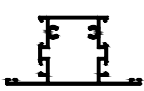
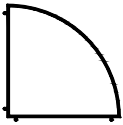


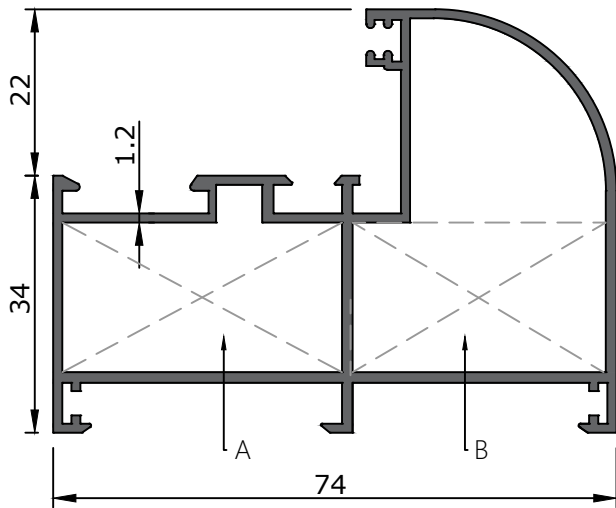
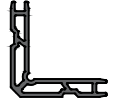


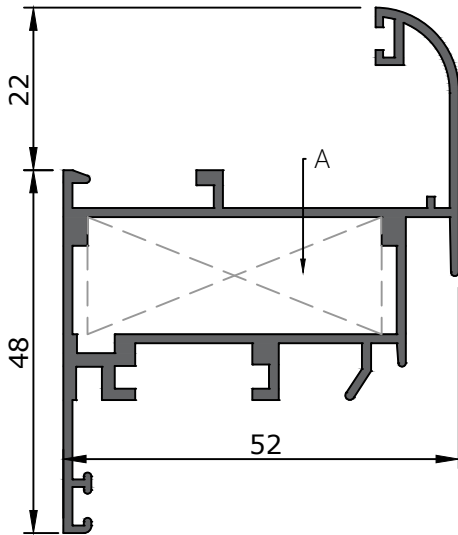
OVERVIEW OF PROFILES

DRAWING	CODE	WEIGHT (Kg/m)	DESCRIPTION	STATIC VALUE <small>Jx(cm4) / Jy (cm4)</small>
	860	1.148	Frame profile	10.76 / 24.94
	885	0.980	Sash profile	4.48 / 15.96
	884	1.135	Sash profile	87.37 / 49.77
	908	1.120	Mullion Profile	11.74 / 17.92
	4186	0.890	Corner Profile	17.82 / 30.67
	872	0.239	Glazing Bead	/
	873	0.328	Glazing Bead	/

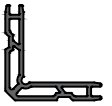


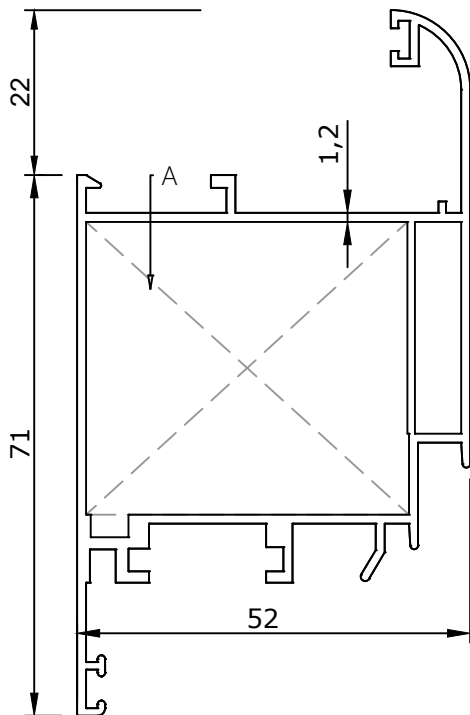
Profile Name	Profile Code	Weight (Kg/m)
Frame Profile	860	1.148

Corner Cleat	A	B
	19.4mm x 36.4mm	19.4mm x 33.4mm

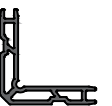


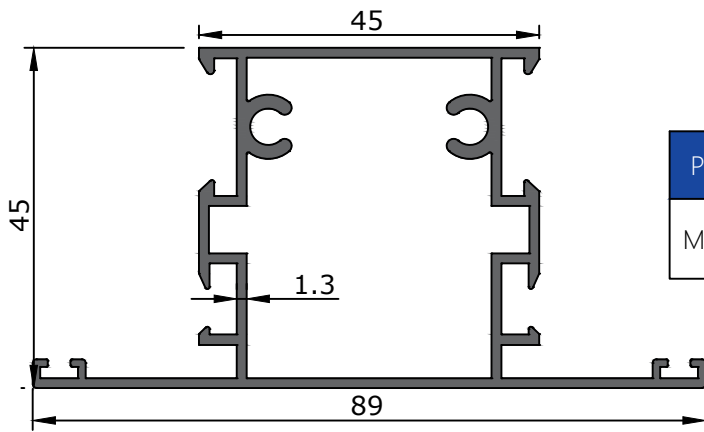
Profile Name	Profile Code	Weight (Kg/m)
Sash Profile	885	0.980

Corner Cleat	A
	15.1mm x 38.5mm

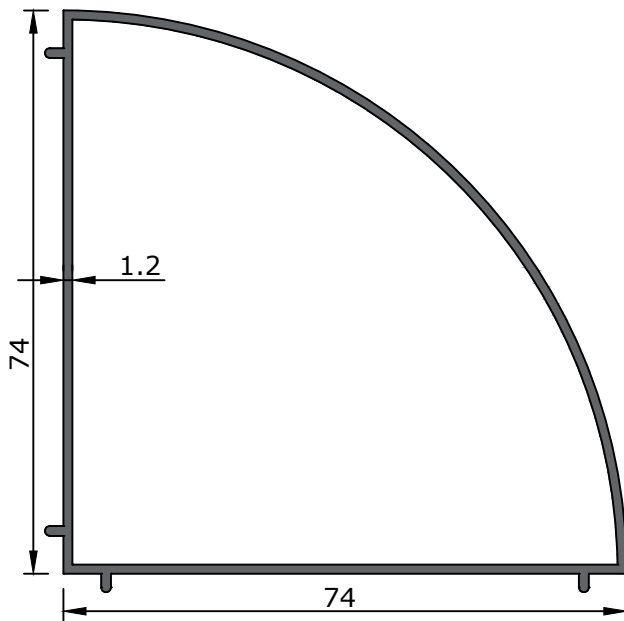


Profile Name	Profile Code	Weight (Kg/m)
Sash Profile	884	1.135

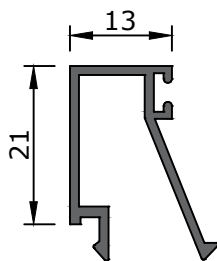
Corner Cleat	A
	38.4mm x 42.1mm



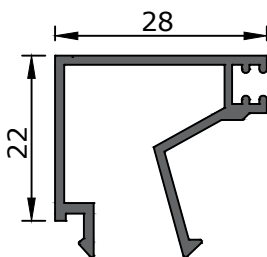
Profile Name	Profile Code	Weight (Kg/m)
Mullion Profile	908	1.120



Profile Name	Profile Code	Weight (Kg/m)
Corner Profile	4186	0.890



Profile Name	Profile Code	Weight (Kg/m)
Glazing Bead	872	0.239



Profile Name	Profile Code	Weight (Kg/m)
Glazing Bead	873	0.328