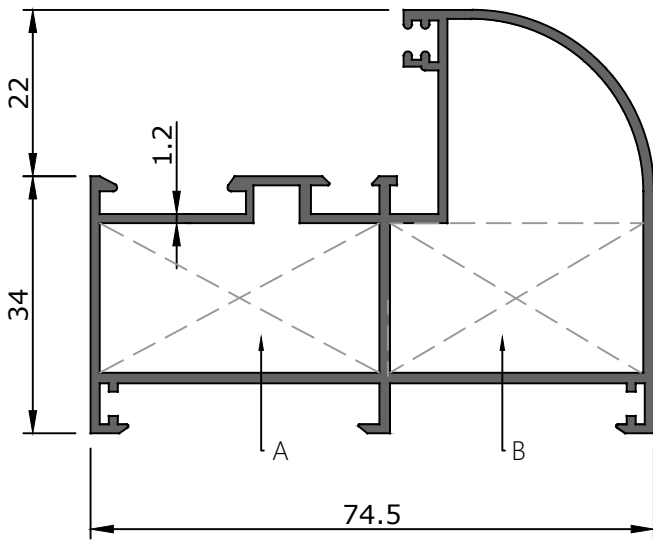


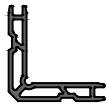
سیستم درب و پنجره لولایی

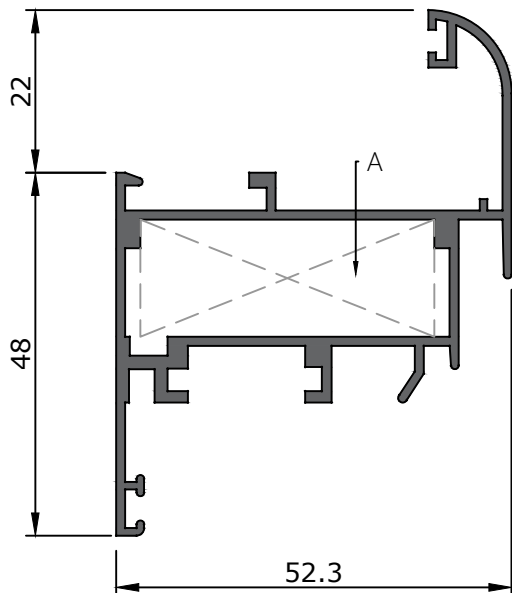
نرمال بندینی

YWN75

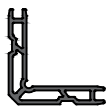


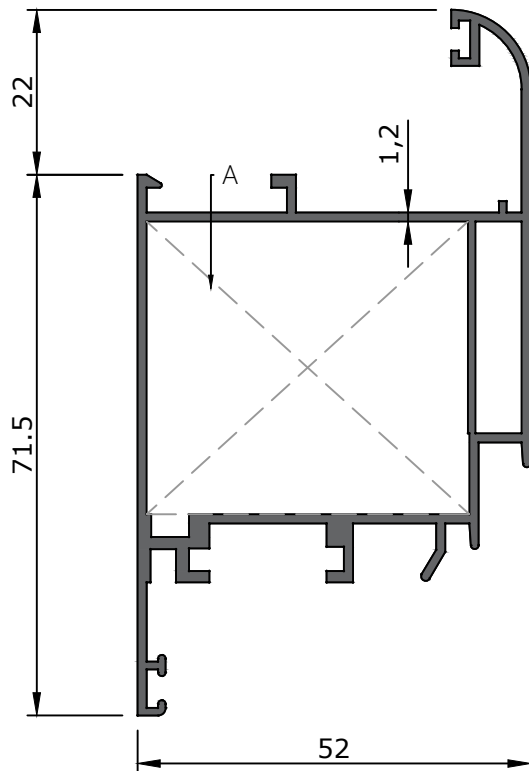
Profile Name	Profile Code	Weight (Kg/m)
Frame Profile	860	1.148

Corner Cleat	A	B
	19.4 36.4mm	19.4 33.4mm

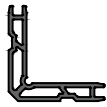


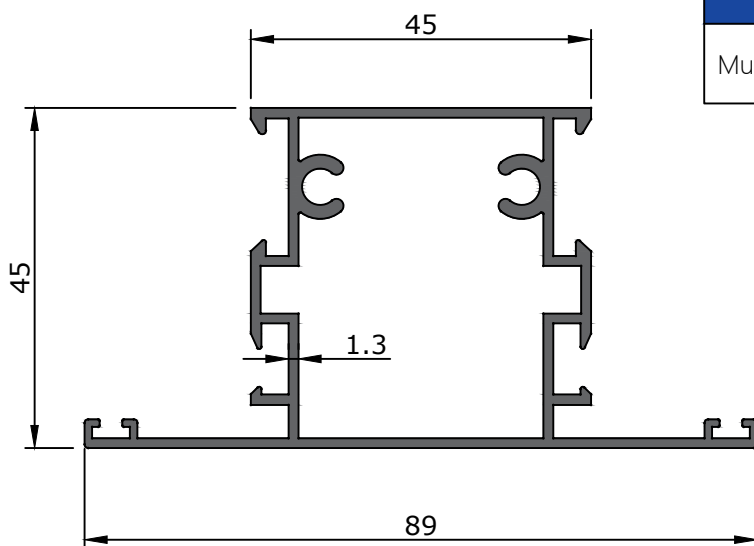
Profile Name	Profile Code	Weight (Kg/m)
Sash Profile	885	0.980

Corner Cleat	A
	15.1 38.5mm

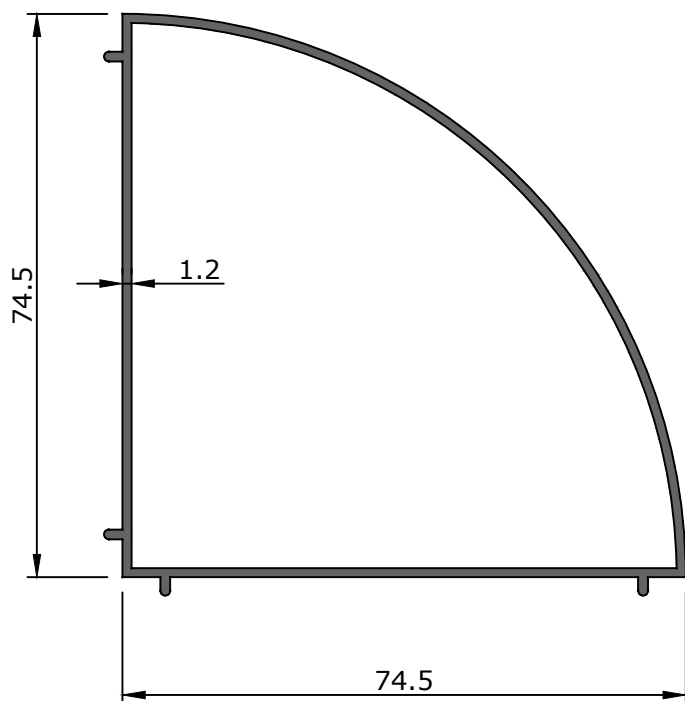


Profile Name	Profile Code	Weight (Kg/m)
Sash Profile	884	1.135

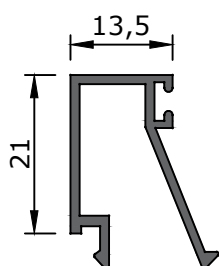
Corner Cleat	A
	38.4 42.1mm



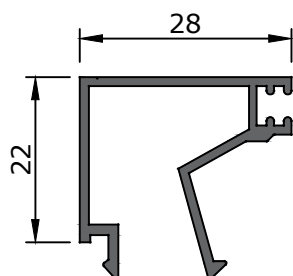
Profile Name	Profile Code	Weight (Kg/m)
Mullion Profile	908	1.120



Profile Name	Profile Code	Weight (Kg/m)
Corner Profile	4186	0.890



Profile Name	Profile Code	Weight (Kg/m)
Glazing Bead	872	0.239



Profile Name	Profile Code	Weight (Kg/m)
Glazing Bead	873	0.328